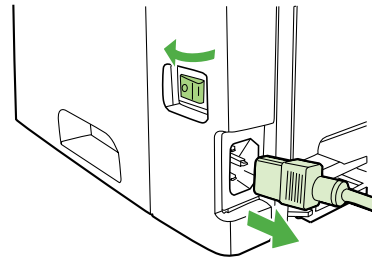


# Installation & Test Guide

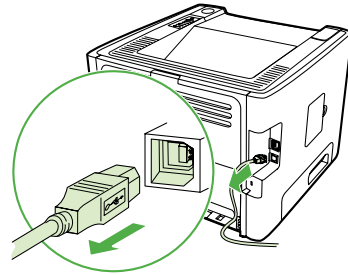
For HP LaserJets & MFPs with 144 Pin DIMM

Extending the Resources and Abilities of Your Printer



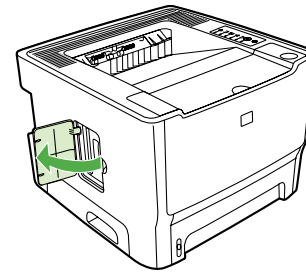
1

Use the power switch to turn off the printer and then unplug the power cord from the printer.



2

Unplug all remaining cables and cords from the printer.

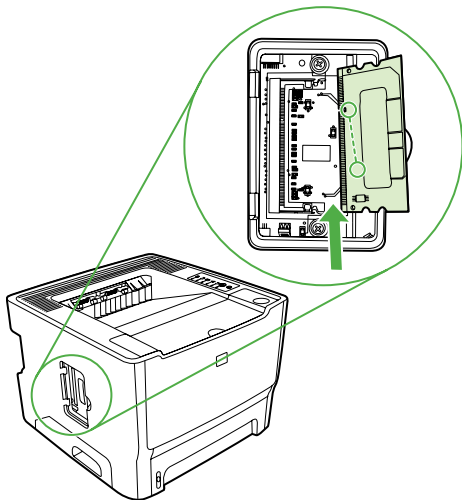
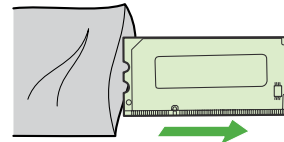


3

Carefully open the DIMM access door located on the left side of the printer.

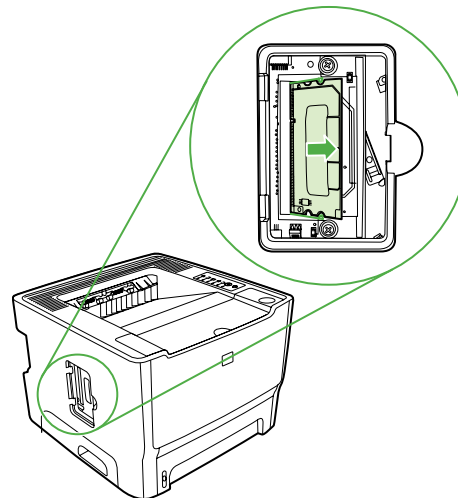
4

Remove the DIMM from the anti-static bag it came in, grasping the DIMM along the top edge away from the gold contacts.



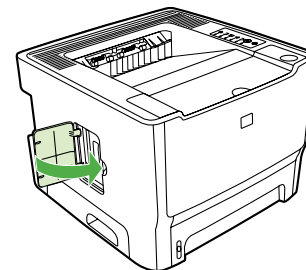
5

The DIMM has a notch cut in the edge between some of the gold contacts. Orient the DIMM so this notch aligns with the bump in the printer's connector and insert the DIMM into the connector.



6

Press the DIMM body in until the metal retaining pins click.

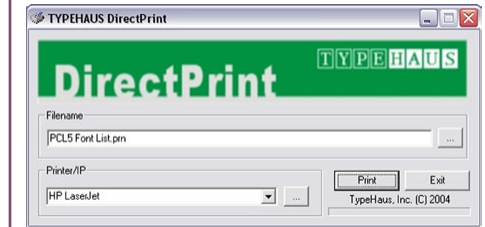


7

Close the DIMM access door, reconnect all cables and cords, then turn the power switch on.

## Congratulations!

You are now ready to print scalable bar codes using your printer. The CD that came with your Scalable BarCode Font Set contains an application for testing the new capabilities.



1. Insert the CD in your CD/DVD drive and use Windows File Explorer to browse the CD and double-click on DirectPrint.exe.
2. In the "Filename" section, click the "..." button. Browse to select the file "PCL5 Font List.prn" also located on the CD.
3. In the "Printer/IP" section, select the printer from the dropdown list or enter the IP address if it is attached to the network.
4. Select the "Print" button.
5. Compare the printed font list first page to the reverse side of these instructions. Some variation may exist for different printer models. The barcode fonts appear on later pages of the font list.
6. Select the "Exit" button to close the application.

TypeHaus Reorder Part Number: 11B583-30

Solutions  
Business Partner



TypeHaus, Inc.  
655 Second Street  
Encinitas, CA 92024  
760.334.3555  
www.typehaus.com

# HP LaserJet

## PCL Font List

### ROM DIMM M1

Typeface	Pitch/Point	Escape sequence	Font #	Font ID
ABCDEFghijjÅ°ÇÑ; Courier	Scale	<esc>( [ ] <esc>(s0p [ ] h0s0b4099T	M1 0	
ABCDEFghijjÅ°ÇÑ; CG Times	Scale	<esc>( [ ] <esc>(s1p [ ] v0s0b4101T	M1 1	
ABCDEFghijjÅ°ÇÑ; CG Times	Scale	<esc>( [ ] <esc>(s1p [ ] v0s3b4101T	M1 2	
ABCDEFghijjÅ°ÇÑ; CG Times	Scale	<esc>( [ ] <esc>(s1p [ ] v1s0b4101T	M1 3	
ABCDEFghijjÅ°ÇÑ; CG Omega	Scale	<esc>( [ ] <esc>(s1p [ ] v1s3b4101T	M1 4	
ABCDEFghijjÅ°ÇÑ; CG Omega	Scale	<esc>( [ ] <esc>(s1p [ ] v0s0b4113T	M1 5	
ABCDEFghijjÅ°ÇÑ; CG Omega	Scale	<esc>( [ ] <esc>(s1p [ ] v0s3b4113T	M1 6	
ABCDEFghijjÅ°ÇÑ; CG Omega	Scale	<esc>( [ ] <esc>(s1p [ ] v1s0b4113T	M1 7	
ABCDEFghijjÅ°ÇÑ; CG Omega	Scale	<esc>( [ ] <esc>(s1p [ ] v1s3b4113T	M1 8	
ABCDEFghijjÅ°ÇÑ; Coronet	Scale	<esc>( [ ] <esc>(s1p [ ] v1s0b4116T	M1 9	
ABCDEFghijjÅ°ÇÑ; Clarendon	Scale	<esc>( [ ] <esc>(s1p [ ] v4s3b4140T	M1 10	
ABCDEFghijjÅ°ÇÑ; Univers	Scale	<esc>( [ ] <esc>(s1p [ ] v0s0b4148T	M1 11	
ABCDEFghijjÅ°ÇÑ; Univers	Scale	<esc>( [ ] <esc>(s1p [ ] v0s3b4148T	M1 12	
ABCDEFghijjÅ°ÇÑ; Univers	Scale	<esc>( [ ] <esc>(s1p [ ] v1s0b4148T	M1 13	
ABCDEFghijjÅ°ÇÑ; Univers	Scale	<esc>( [ ] <esc>(s1p [ ] v1s3b4148T	M1 14	
ABCDEFghijjÅ°ÇÑ; Univers	Scale	<esc>( [ ] <esc>(s1p [ ] v4s0b4148T	M1 15	
ABCDEFghijjÅ°ÇÑ; Univers	Scale	<esc>( [ ] <esc>(s1p [ ] v4s3b4148T	M1 16	
ABCDEFghijjÅ°ÇÑ; Univers	Scale	<esc>( [ ] <esc>(s1p [ ] v5s0b4148T	M1 17	
ABCDEFghijjÅ°ÇÑ; Univers	Scale	<esc>( [ ] <esc>(s1p [ ] v5s3b4148T	M1 18	
ABCDEFghijjÅ°ÇÑ; Antiquolive	Scale	<esc>( [ ] <esc>(s1p [ ] v0s0b4168T	M1 19	