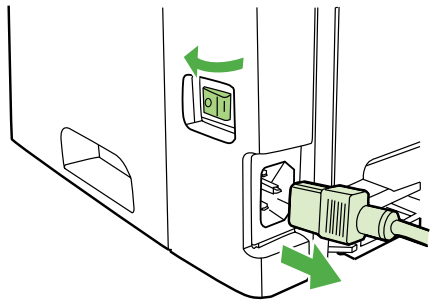


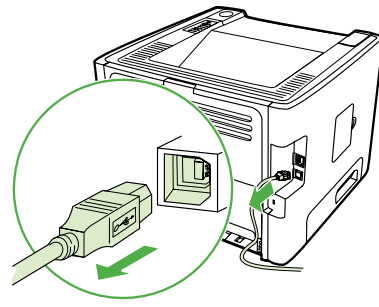
Installation Guide

For HP LaserJets & MFPs with Host USB

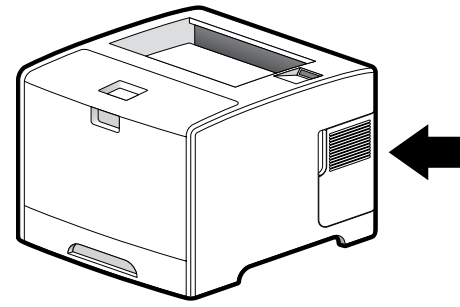
WARNING: Do not insert your Custom Solution USB device into your PC or any system other than your printer. PCs and other systems can automatically erase the device. The device is only compatible with the USB connectors located *inside* your printer.



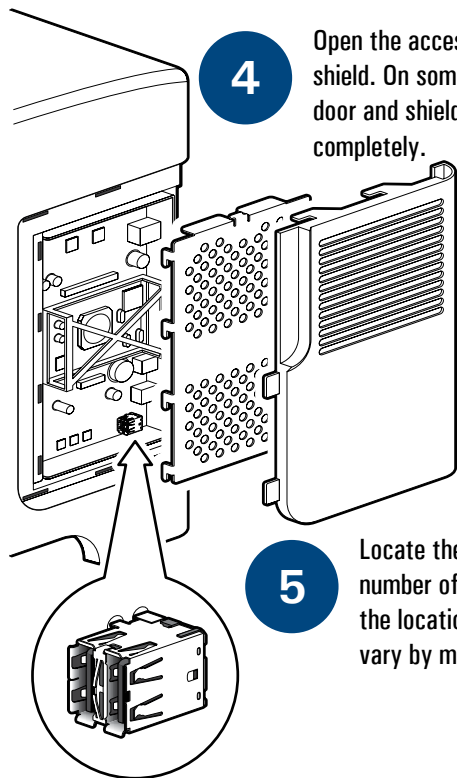
1 Use the power switch to turn off the printer and then unplug the power cord from the printer.



2 Unplug all remaining cables and cords from the printer.

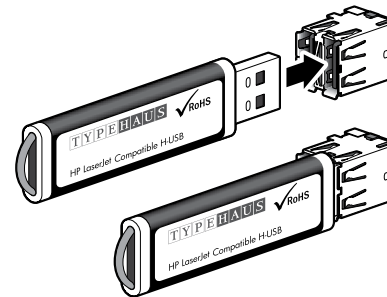


3 Locate the access door located on the side of the printer. The location can vary by model.



4 Open the access door and metal shield. On some models the door and shield may remove completely.

5 Locate the USB connectors. The number of USB connectors, and the location and orientation can vary by model.



6 Insert the Custom Solution into the USB connector. If there is more than one connector, use the connector labelled "A" or "1". The Custom Solution will only insert in one orientation. If it does not insert easily, rotate it and try again. Never use strong force. Strong force may damage your printer.

7 Close the shield and access door, reconnect all cables and cords, then turn the power switch on.

Congratulations!

You are now ready to print using your custom solution. See the reverse side of this sheet for a sample test print using your custom solution.

TypeHaus Reorder Part Number: 11B580-50

Solutions
Business Partner



TypeHaus, Inc.
655 Second Street
Encinitas, CA 92024
760.334.3555
www.typehaus.com

